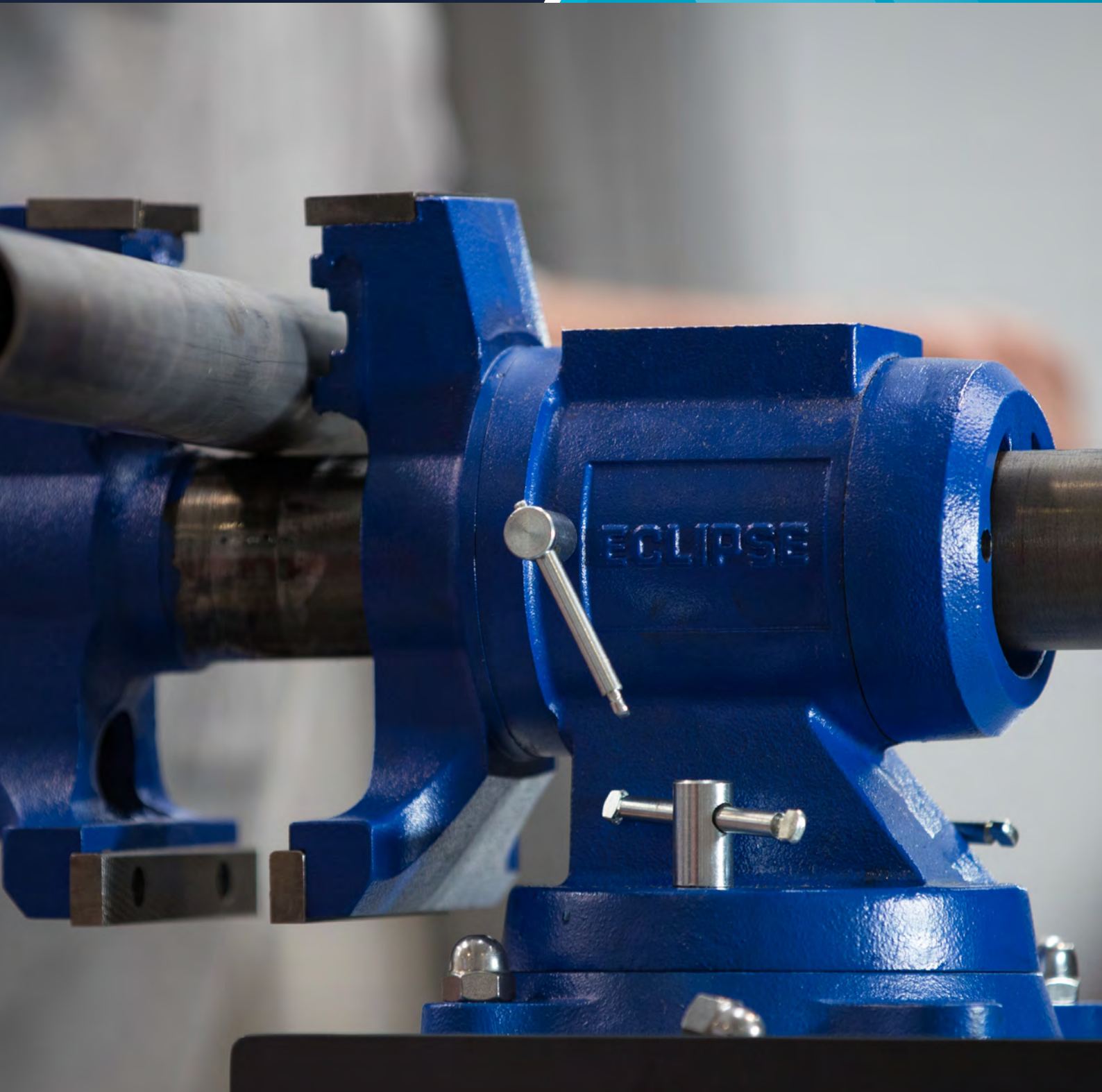


ECLIPSE
PROFESSIONAL TOOLS



Workholding Solutions
THE TOOLS TO TRUST

Spear & Jackson
Since 1760

EMV Engineer's Vices

High quality cast iron Vices capable of generating up to 4000 Kgf clamping force for general metal working applications.

Body and sliding jaw are manufactured from high quality grey cast iron. This material has excellent shock absorbing qualities

For added safety, the tommy bar will bend before the vice becomes over-stressed

Tommy bar and main screw are manufactured from steel



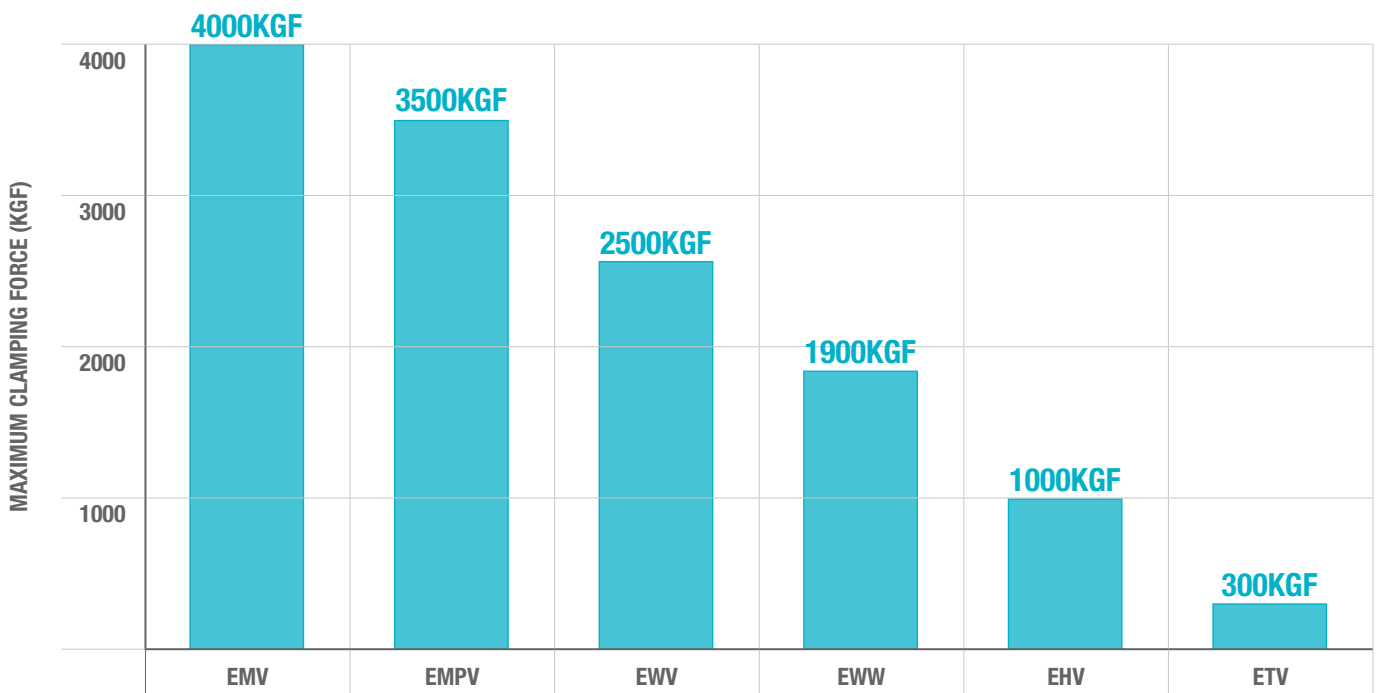
Hardened steel replaceable jaw plates

Slide is precision milled to a high tolerance for a fast, smooth operation

EMV Engineers' Vices

Part No.	Jaw Width	Throat Depth	Opening	Clamping Force (Max)	Net Weight
EC-EMV1	75mm (3")	48mm	82mm	1500kgf	4.8kg
EC-EMV3	100mm (4")	63mm	109mm	2000kgf	9.3kg
EC-EMV5	125mm (5")	73mm	136mm	2500kgf	15.8kg
EC-EMV6	150mm (6")	86mm	168mm	3000kgf	24.2kg
EC-EMV8	200mm (8")	103mm	208mm	4000kgf	38.1kg

Vices - Maximum Clamping Forces



Workholding Solutions

Vices

EC-EMVSB Swivel Bases

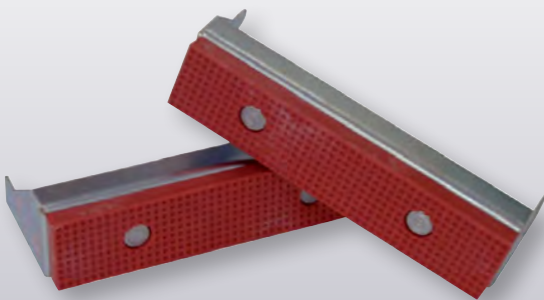
- Includes three mount holes for attaching to a workbench
- For use with Eclipse Mechanics' Vices



Part No.	Size	For use with:	Pack Qty
EC-EMVSB-1	Swivel Base for 75mm (3") Vice	EMV-1	10
EC-EMVSB-3	Swivel Base for 100mm (4") Vice	EMV-3	10
EC-EMVSB-5	Swivel Base for 128mm (5") Vice	EMV-5	10
EC-EMVSB-6	Swivel Base for 150mm (6") Vice	EMV-6	8
EC-EMVSB-8	Swivel Base for 200mm (8") Vice	EMV-8	8

EC-EFG Fibre Grips

- A range of high quality fibre grips for use with Eclipse Mechanics' Vices.
- Prevents damage to workpieces with soft or polished surfaces.
- Supplied in pairs.



Part No.	Size	For use with	Pack Qty
EC-EFG1	75mm (3")	EMV-1	10
EC-EFG3	100mm (4")	EMV-3	10
EC-EFG5	128mm (5")	EMV-5	10
EC-EFG6	150mm (6")	EMV-6	10
EC-EFG8	200mm (8")	EMV-8	10

EC-EMV-JPS Spare Jaw plates

- Replacement hardened steel jaw plates with fine knurl grip pattern to fit EMV series vices.
- Supplied as a pair with 4 screws for easy fitting.



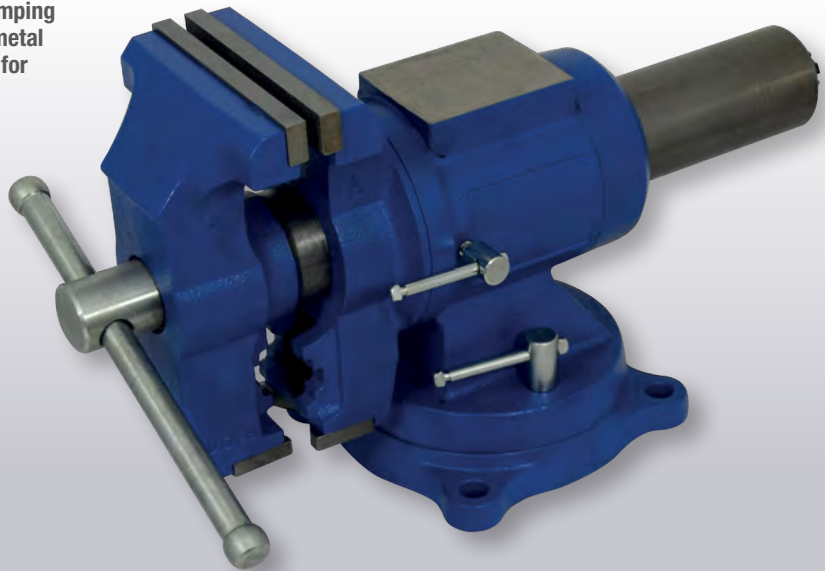
Part No.	Description
EC-EMV-1JPS	Spare jaw plates and screws for EMV-1
EC-EMV-3JPS	Spare jaw plates and screws for EMV-3
EC-EMV-5JPS	Spare jaw plates and screws for EMV-5
EC-EMV-6JPS	Spare jaw plates and screws for EMV-6
EC-EMV-8JPS	Spare jaw plates and screws for EMV-8

EC-EMPV-5 Multi-Purpose Vice

Strong and durable precision cast iron body with hardened steel jaw plates. Up to 3500kg of clamping force is achievable for medium to heavy duty metal and wood working and pipe jaws are included for specific pipe work.

The moving body is capable of rotating 360° and it also features a 360° swivel base for flexible working.

It includes a convenient anvil at the rear of the body for beating and hammering workpieces.



Part No.	Jaw Width	Throat Depth	Opening	Clamping Force (Max)	Net Weight
EC-EMPV-5	125mm (5")	67mm	125mm	3500kgf	15.0kg

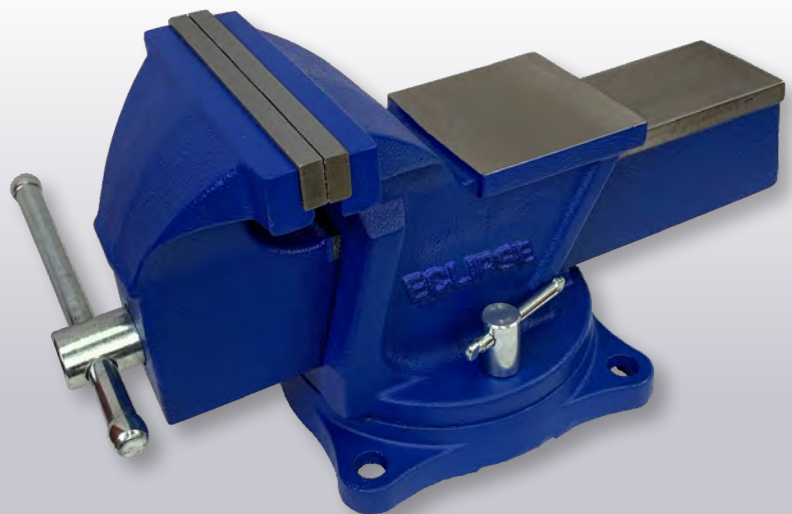
EC-EWV150S Swive Base Workshop Vice

The Workshop Swivel Vice, it is ideal for general holding and workshop applications.

Strong and durable precision cast iron body with hardened steel jaw plates. Up to 2500kg of clamping force is achievable for medium duty working.

Features a 120° swivel base

It includes a convenient anvil at the rear of the body for beating and hammering workpieces.



Part No.	Jaw Width	Throat Depth	Opening	Clamping Force (Max)	Net Weight
EC-EWV125S	125mm (5")	60mm	125mm	2000kgf	9.2kg
EC-EWV150S	150mm (6")	68mm	152mm	2500kgf	13.2kg

Workholding Solutions

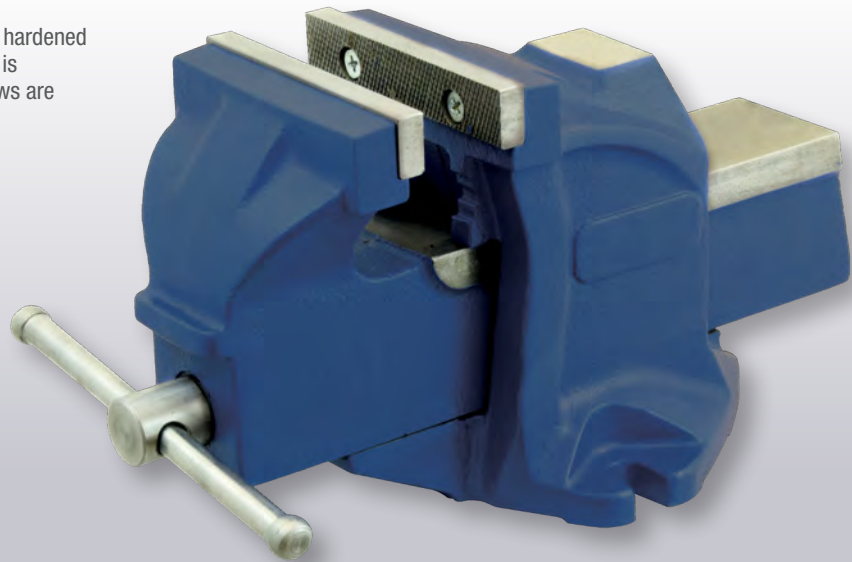
Vices

EC-EHV-3 Pipe Jaw Workshop Vice

Compact Cast Iron workshop vice for medium duty working with built in pipe jaws.

Strong and durable precision cast iron body with hardened steel jaw plates. Up to 1000kg of clamping force is achievable for medium duty working and pipe jaws are included for specific pipe work.

It includes a convenient anvil at the rear of the body for beating and hammering workpieces.



Part No.	Jaw Width	Throat Depth	Opening	Clamping Force (Max)	Net Weight
EC-EHV-3	100mm (4")	60mm	100mm	1000Kgf	7.6kg

EC-EWV100 Workshop Vice

The Workshop Vice, it is ideal for general holding and workshop applications.

Strong and durable precision cast iron body with hardened steel jaw plates. Up to 1000kg of clamping force is achievable for medium duty working.

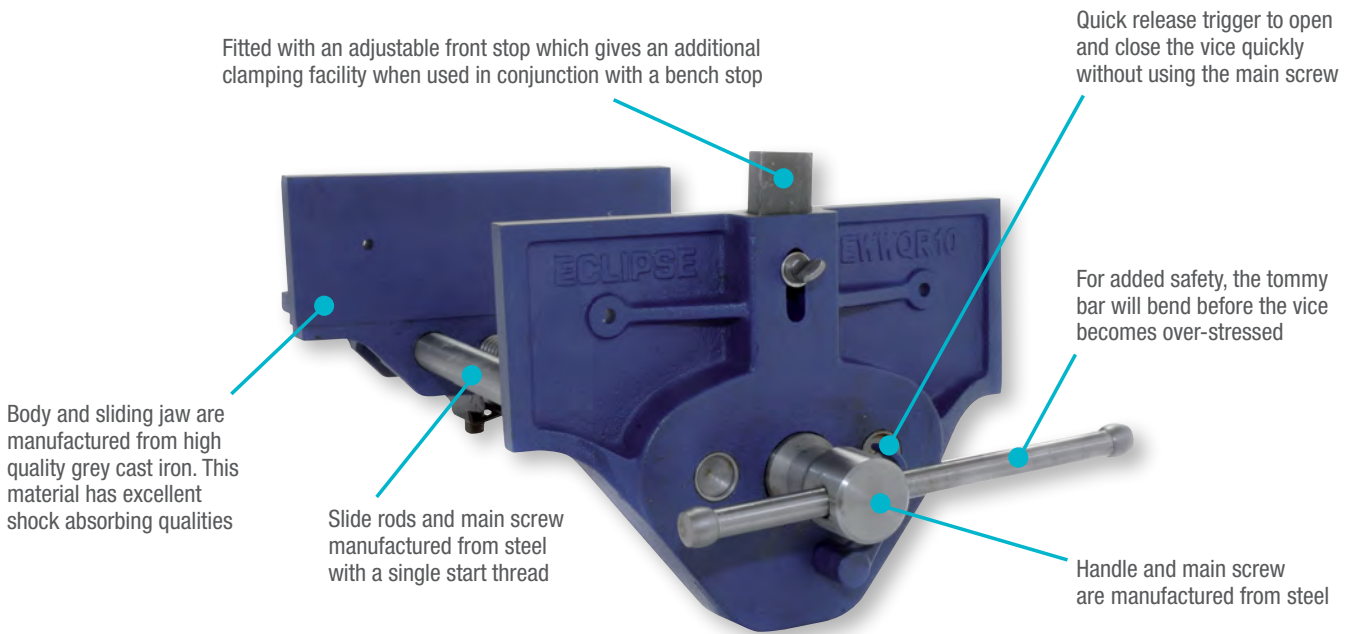
It includes a convenient anvil at the rear of the body for beating and hammering workpieces.



Part No.	Jaw Width	Throat Depth	Opening	Clamping Force (Max)	Net Weight
EC-EWV100	100mm (4")	65mm	100mm	1000kgf	7.8kg

EC-EWWQR Quick Release Woodworking Vices

High quality Cast Iron vices for general woodworking applications. Available in quick release and plain screw options. A portable version is available for flexible light duty applications.



EC-EWWQR Quick Release Woodworking Vices

Part No.	Jaw Width	Throat Depth	Opening	Clamping Force (Max)	Net Weight
EC-EWWQR7	178mm (7")	90mm	202mm	1900Kgf	9.4kg
EC-EWWQR9	230mm (9")	106mm	260mm	1900Kgf	15.5kg

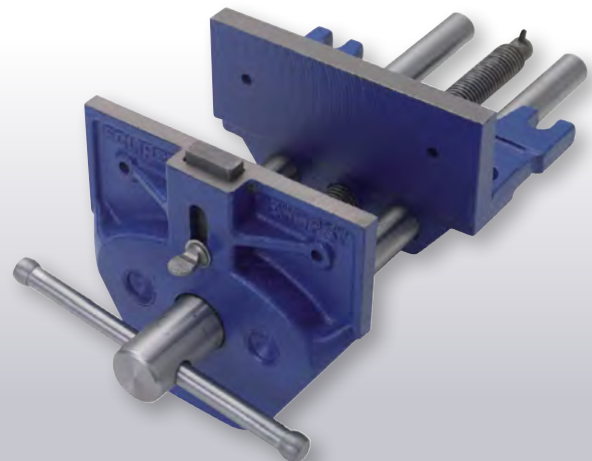
EC-EWWPS Plain Screw Woodworking Vices

Plain screw mechanism works through a separate unbreakable nut housed beneath the body seating, to ensure the constant alignment of the screw mechanism.

Precision machined grey cast iron body and front to ensure a smooth, parallel action. Fitted with an adjustable front stop, or dog, that gives an additional clamping facility when used with a bench stop, to provide a normal vice and a tail vice in one tool.

To increase safety, the fused tommy bar will bend before the vice can become over-stressed.

Up to 1900Kgf clamping force is achievable and is ideal for holding large pieces of wood for cutting and gluing



Part No.	Jaw Width	Throat Depth	Opening	Clamping Force (Max)	Net Weight
EC-EWWPS7	178mm (7")	80mm	202mm	9.4kg	9.4kg
EC-EWWPS9	230mm (9")	106mm	260mm	15.5kg	15.5kg

Workholding Solutions

Vices

EC-EOV150 Offset Vice

Portable vice for light duty workshop The Offset Vice, it is ideal for industrial, automotive and workshop applications.

Strong and durable precision cast iron body with precision machined slideways.

Long hardened steel jaw plates to allow the holding of long work pieces.

It includes a convenient anvil at the rear of the body for beating and hammering workpieces..

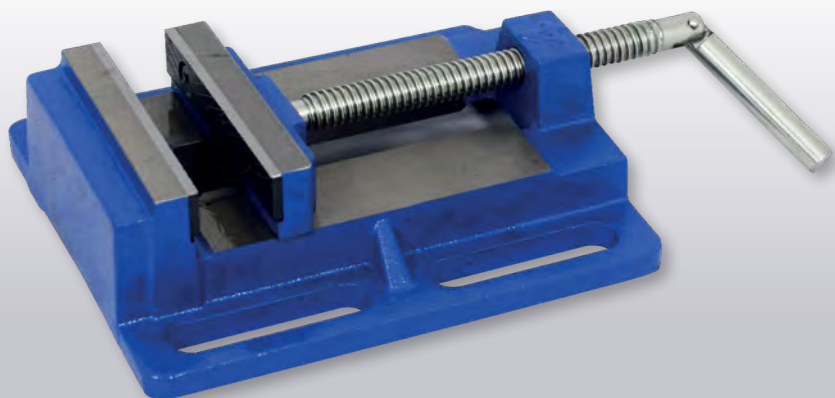


Part No.	Jaw Width	Throat Depth	Opening	Clamping Force (Max)	Net Weight
EC-EOV150	150mm (6")	N/A	200mm	2200kgf	25.0kg

EC-EDPV-4 Drill Press Vice

Designed for use with drill presses and pillar drills, ideal for an engineering workshop or tool room.

Manufactured from high quality grey cast iron for strength and durability with a slotted base for easy installation and positioning.



Part No.	Jaw Width	Throat Depth	Opening	Clamping Force (Max)	Net Weight
EC-EDPV-4	100mm (4")	25mm (1")	110mm (4 1/4")	600kgf	3.2kg

Eclipse Clamps

Eclipse screw clamps are suitable for a wide range of medium and heavy duty wood and metal working applications. The Quick Release Lever Clamp series features a rapid clamping and releasing action.



Workholding Solutions

Clamps

ELC80 and ELC120 Quick Release Lever Clamps 80mm and 120mm Throat Depth

Lightweight Aluminium frames and carbon steel bar are strong and durable and the clamps are capable of achieving up to 180kg of sustainable holding force and are ideal for gluing, positioning and fastening in wood working applications.

They feature a rapid clamping action with a quick release button that instantly releases the clamp.

The removable pads stay fixed to the clamp giving an even distribution of clamping force across the workpiece



**180KG
CLAMPING
FORCE**

Part No.	Clamping Capacity	Throat Depth	Pack Qty
EC-ELC80-4	100mm (4")	80mm	10
EC-ELC80-8	200mm (8")	80mm	10
EC-ELC80-12	300mm (12")	80mm	10
EC-ELC120-4	100mm (4")	120mm	10
EC-ELC120-8	200mm (8")	120mm	10
EC-ELC120-12	300mm (12")	120mm	10

EC-SC80 80mm throat depth Screw Clamps

80mm throat depth capacity clamps, manufactured to DIN5117 standard clamps with an average clamping force of 300kg (660lbs).

The sliding head quickly sets the clamp to the required capacity, whilst the serrated grooves on the corrosion resistant nickel plated bar prevent slippage in use. The cast iron malleable heads offer maximum strength and the wooden handle provides a firm and comfortable grip.



**300KG
CLAMPING
FORCE**

Part No.	Clamping Capacity	Pack Qty
EC-SC80R6	150mm (6")	10
EC-SC80R8	200mm (8")	10
EC-SC80R10	250mm (10")	10
EC-SC80R12	300mm (12")	10
EC-SC80R16	400mm (16")	10
EC-SC80R24	600mm (24")	6
EC-SC80R32	800mm (32")	6

EC-SCR 120mm throat depth Screw Clamps

DIN5117 standard clamps with an average clamping force of 300kg (660lbs)

The sliding head quickly sets the clamp to the required capacity, whilst the serrated grooves on the corrosion resistant nickel plated bar prevent slippage in use. The cast iron malleable heads offer maximum strength and the wooden handle provides a firm and comfortable grip. 120mm (4¾) throat depth.



**300KG
CLAMPING
FORCE**

Part No.	Clamping Capacity	Pack Qty
EC-SCR6	150mm (6")	10
EC-SCR8	200mm (8")	10
EC-SCR10	250mm (10")	10
EC-SCR12	300mm (12")	10
EC-SCR16	400mm (16")	10
EC-SCR24	600mm (24")	6
EC-SCR32	800mm (32")	6

**300KG
CLAMPING
FORCE**

Eclipse Heavy Duty One Handed Bar Clamps

A family of Heavy Duty One Handed Bar Clamps for a wide range of heavy duty to light duty wood and metal working applications.



Workholding Solutions

Heavy Duty OHB Clamps



★ GOOD / ★★ BETTER / ★★★ BEST

EC-EOHC-HD Heavy Duty One Handed Bar Clamps and Spreader

Lightweight Aluminium frames and carbon steel bar are strong and durable and the clamps are capable of achieving up to 300 kg of sustainable holding force and are ideal for heavy duty work holding applications.

The quick release insert trigger enables the clamp to be quickly positioned and released, whilst the easy push button system allows quick change from a clamp to a spreader.

The removable pads stay fixed to the clamp giving an even distribution of clamping force across the workpiece protecting it from marking damage.



Part No.	Clamping Capacity	Min Spreading Capacity	Max Spreading Capacity	Pack Qty
EC-EOHC6-HD	150mm (6")	168mm (6 5/8")	355mm (13 7/8")	6
EC-EOHC12-HD	300mm (12")	168mm (6 5/8")	507mm (19 7/8")	6
EC-EOHC18-HD	450mm (18")	168mm (6 5/8")	660mm (25 7/8")	6
EC-EOHC24-HD	600mm (24")	168mm (6 5/8")	813mm (32")	6
EC-EOHC36-HD	900mm (36")	168mm (6 5/8")	1117mm (43 7/8")	6
EC-BCPADHD	SPARE PADS 2 PACK			1

EC-EOHC-DECK Deck Tool for One Handed Bar Clamps

Ideal to achieve accurate alignment & spacing when decking

Converts one handed bar clamp to a deck clamp.

Quickly and easily attached



Part No.	Pack Qty
EC-EOHC-DECK	6

150KG
CLAMPING
FORCE

Eclipse One Handed Bar Clamps

A family of One Handed Bar Clamps for a wide range of heavy duty to light duty wood and metal working applications.



Workholding Solutions

Clamps

EC-EOHBC Original Series One Handed Bar Clamps and Spreaders

Average clamping force of 150kg.

Quick release trigger enables the clamp to be quickly positioned and released, whilst the jaw release clip mechanism allows the jaw to be removed and re-attached to the other end of the bar, thus converting the clamp into a spreader.

The carbon steel bar and reinforced nylon body make it both tough and durable, whilst the ergonomically designed, soft feel pistol grip handle fits easily into the hand.

In addition, the toe-in feature means that, when fully closed, the jaws only meet at the top, thus providing an even clamping force across the whole depth of the workpiece. Non-marking pads firmly grip and protect the workpiece.



Throat
Depth 85mm
(3 3/8")

Part No.	Clamping Capacity	Min Spreading Capacity	Max Spreading Capacity	Pack Qty
EC-EOHBC6	150mm (6")	168mm (6 5/8")	340mm (13 3/8")	20
EC-EOHBC12	300mm (12")	168mm (6 5/8")	495mm (19 1/2")	12
EC-EOHBC18	450mm (18")	168mm (6 5/8")	645mm (25 3/8")	12
EC-EOHBC24	600mm (24")	168mm (6 5/8")	800mm (31 1/2")	12
EC-EOHBC36	900mm (36")	168mm (6 5/8")	1105mm (43 1/2")	12
EC-BCPADHD	SPARE PADS 2 PACK			1

EC-EOHBC-MINI and EC-EOHBC - MICRO Mini and Micro One handed bar clamps

Strong plastic construction and carbon steel bar are strong and durable and allow the MINI clamp to achieve up to 75 kg and the MICRO clamp to achieve up to 25kg clamping force.

They are ideal for small wood working projects, working in confined spaces and delicate work requiring light pressure.

The MINI clamp features an easy push button system and allows a quick change from a clamp to a spreader.

The quick release insert trigger enables the clamps to be quickly positioned and released and the removable pads stay fixed to the clamp giving an even distribution of clamping force across the workpiece protecting it from marking damage.



Mini Throat
Depth 60mm
(2 3/8")



Micro Throat
Depth 36mm
(1 3/8")

MICRO
25KG
CLAMPING
FORCE

MINI
75KG
CLAMPING
FORCE

Part No.	Clamping Capacity	Min Spreading Capacity	Max Spreading Capacity	Pack Qty
EC-EOHBC6-MINI	150mm (6")	123mm(4 3/4")	275mm(10 3/4")	16
EC-EOHBC12-MINI	300mm (12")	123mm(4 3/4")	427mm(16 3/4")	16
EC-EOHBC4-MICRO	100mm (4")	N/A	N/A	20

**350KG
CLAMPING
FORCE**

Eclipse General Purpose Metalworking Clamp

The Eclipse range of General Purpose Metal working Clamps are ideal for general metal working and welding applications. Available in a range of six sizes capable of achieving up to 1200 kgf of clamping force.

Workholding Solutions

Clamps

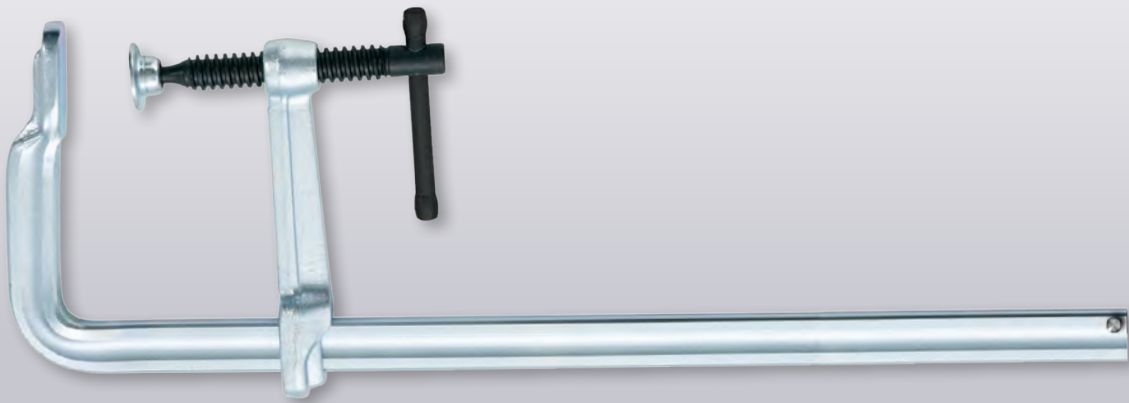
EC-DF General Purpose Metalworking Clamp

Heavy duty metal working clamps capable of up to 350Kgf clamping force.

High quality drop forged C45 steel bar 19mm wide x 9.5mm thick ensures optimum strength.

The clamping plate features a swivel ball type support which may be tilted 3 giving the ability to clamp awkward shaped work pieces. Also features a end stop to prevent from clamp from slipping.

Available in five size clamping capabilities and 120mm throat depth.



Part No.	Clamping Capacity	Pack Qty
EC-DF20	200mm (8")	5
EC-DF25	250mm (10")	5
EC-DF30	300mm (12")	5
EC-DF45	450mm (18")	5
EC-DF60	600mm (24")	5



**1200KG
CLAMPING
FORCE**

Eclipse Heavy Duty Metalworking Clamp

The Eclipse range of Heavy Duty Metal working Clamps are ideal for heavy duty metal working and welding applications. Available in a range of five sizes capable of achieving up to 1200 kgf of clamping force.

Workholding Solutions

Clamps

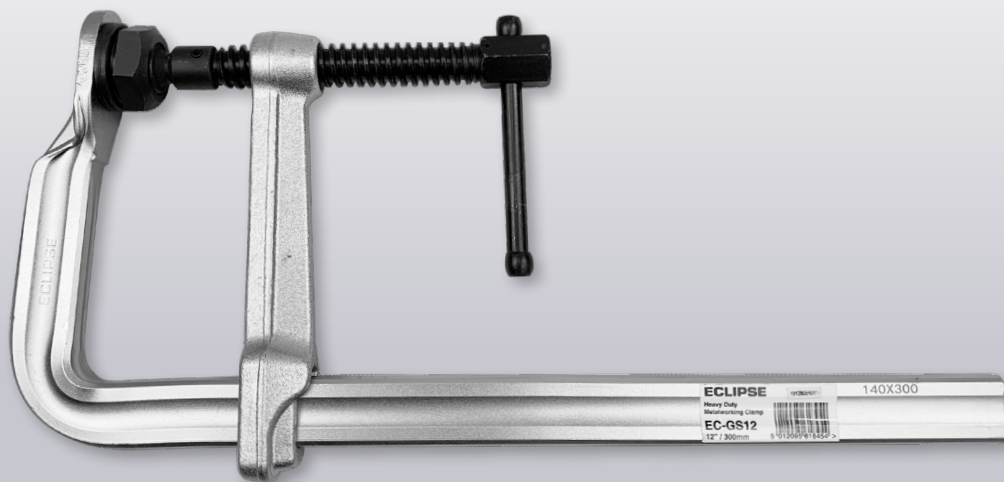
EC-GS Heavy Duty Metalworking Clamp

Heavy duty metal working clamps capable of up to 1200Kgf clamping force.

High quality steel bar 30mm wide x 15mm thick ensures optimum strength. A hex design screw end reinforces clamping.

The heat-treated circular pressure clamping plate features a full ball type support which may be tilted 35degrees to withstand heavy duty working and giving the ability to clamp awkward shaped work pieces.

Available in five sizes: 10", 12", 16", 20" and 24" clamping capabilities and 140mm throat depth.



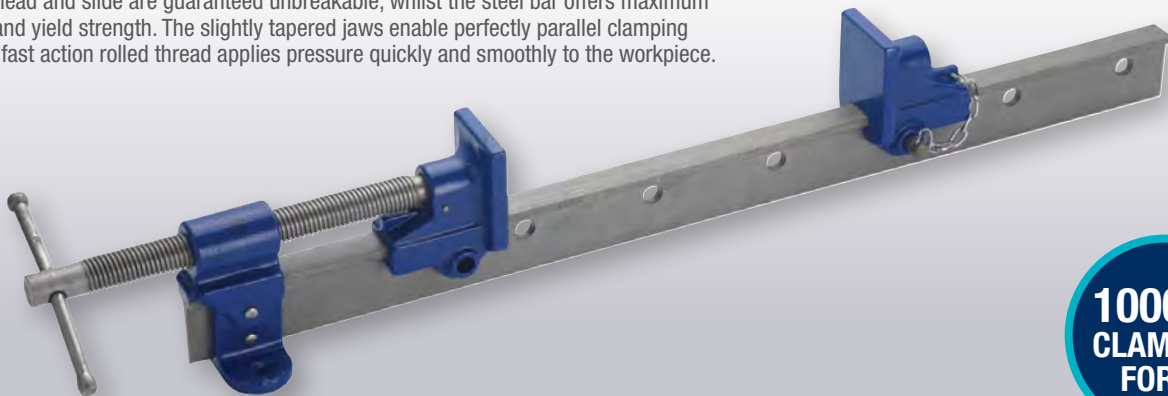
Part No.	Clamping Capacity	Pack Qty
EC-GS10	250mm (10")	5
EC-GS12	300mm (12")	5
EC-GS16	400mm (16")	5
EC-GS20	500mm (20")	5
EC-GS24	600mm (24")	5
EC-GSCP	Spare Clamping Pad	



EC-ETBR T-Bar Clamps

Average clamping force of 1000kg (2200lbs)

The drilled feet in the fixed head enable the clamp to be mounted to a workbench. The ductile head and slide are guaranteed unbreakable, whilst the steel bar offers maximum tensile and yield strength. The slightly tapered jaws enable perfectly parallel clamping and the fast action rolled thread applies pressure quickly and smoothly to the workpiece.

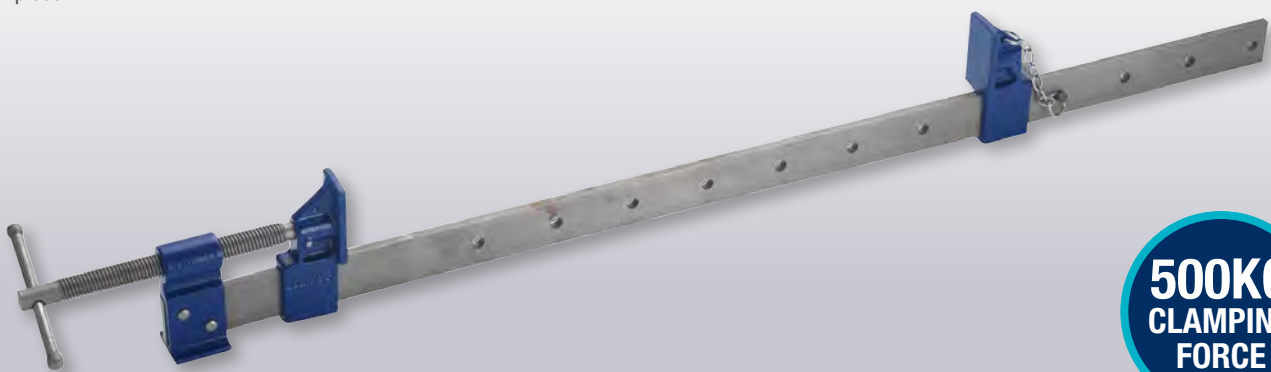


Part No.	Clamping Capacity	Bar Length	Pack Qty
EC-ETBR42	1070mm (42")	1220mm (48")	4
EC-ETBR48	1220mm (48")	1370mm (54")	4
EC-ETBR54	1370mm (54")	1525mm (60")	4
EC-ETBR66	1680mm (66")	1830mm (72")	4
EC-ETBR78	1980mm (78")	2135mm (84")	4

EC-ESC Sash Clamps

Sash clamps have an average clamping force of 500kg (1100lbs).

The ductile head and slide are guaranteed unbreakable, whilst the steel bar offers maximum tensile and yield strength. The slightly tapered jaws enable perfectly parallel clamping and the fast action rolled thread applies pressure quickly and smoothly to the workpiece.



Part No.	Clamping Capacity	Bar Length	Pack Qty
EC-ESC24	600mm (24")	760mm (30")	6
EC-ESC30	760mm (30")	915mm (36")	6
EC-ESC36	915mm (36")	1070mm (42")	6
EC-ESC42	1070mm (42")	1220mm (48")	6
EC-ESC48	1220mm (48")	1370mm (54")	6
EC-ESC54	1370mm (54")	1525mm (60")	6
EC-ESC66	1680mm (66")	1830mm (72")	6

Workholding Solutions

Clamps

EC-E20 Heavy Duty G-Clamps

Average clamping force of 300 – 800kg (660 – 1760lbs).

Guaranteed unbreakable malleable iron frame with a fast action twin start rolled acme thread. The steel swivel shoe applies an even pressure, even on angled surfaces, whilst the tommy bar will bend before the frame can become over-stressed.



Part No.	Clamping Capacity	Frame Proof Loads	Pack Qty
EC-E20-3	75mm (3")	1000lbs (455kg)	6
EC-E20-4	100mm (4")	1200lbs (545kg)	6
EC-E20-6	150mm (6")	1400lbs (636kg)	6
EC-E20-8	200mm (8")	1700lbs (773kg)	2
EC-E20-10	250mm (10")	1700lbs (773kg)	2
EC-E20-12	300mm (12")	2500lbs (1136kg)	2



ECLIPSE

WORKHOLDING SOLUTIONS

Available from all good professional tools stockists



These products are guaranteed against defects in manufacturing, subject to wear and tear and the provision of reasonable care and maintenance.

This does not affect your statutory rights.

CUSTOMER SERVICE CENTRE

Spear & Jackson Australia PTY LTD
PO BOX 4400
Dandenong South, Victoria
Australia 3175

Tel: 1300 731 818

Fax: 1300 731 858

Email: sales@spear-and-jackson.com.au

Spear & Jackson New Zealand PTY LTD

18 Barrhead Place

Avondale, Auckland NZ

Tel: 09 828 5049

Fax: 09 828 8729

Email: sales@spear-and-jackson.co.nz

Follow us on:



FIND OUT MORE AT www.spearandjackson.com.au